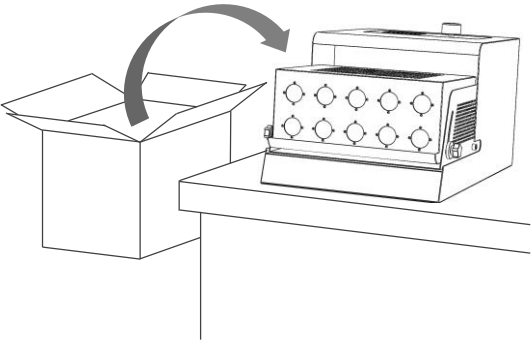
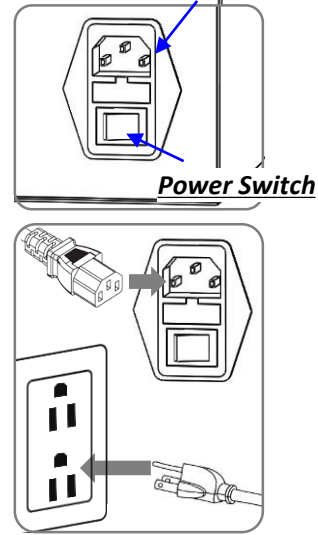
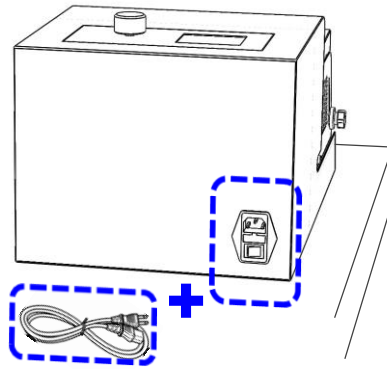


1 Place **EasyClear** where you want to install it.



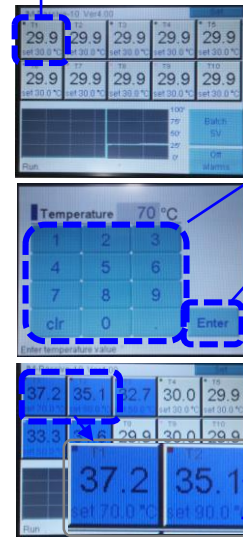
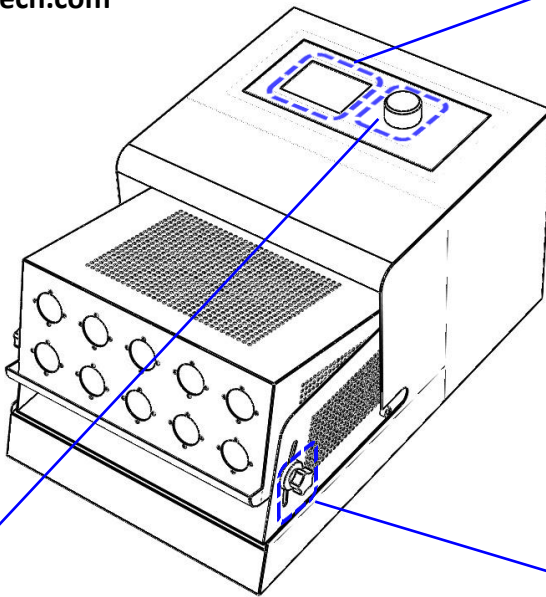
2 Plug the cable into the **power inlet** and plug the other end into a power outlet. And Turn on the **power switch**.



EasyClear Quick Guide

www.lifecanvastech.com

3 Press the **Temp.** button to set up the temperature and wait until the temperature stabilizes.

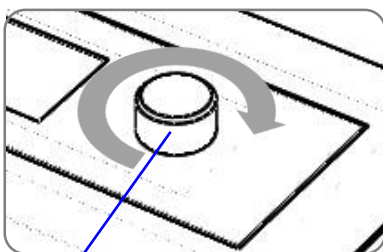
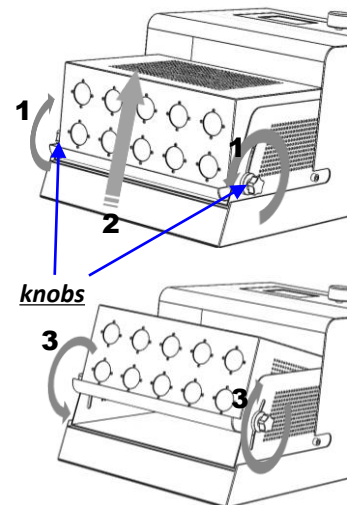
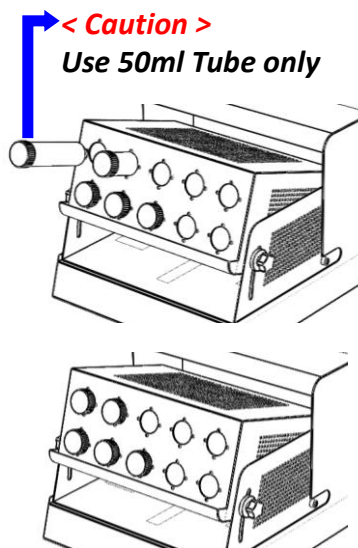


- 1** Press **Temp.** button that matched with the tube hole.
- 2** Input target temperature to set-up
- 3** Enter to confirm
- 4** Iterate **1~3** for each button for *individual temp control*
- 5** Wait until A=B
A. Current Temp.
B. Set-up Temp.

5 Place your sample into the tube and insert it into the device.

4 Regulate **the knob** on each side to adjust the height and the angle*.

6 Regulate the shaking speed of the sample by adjusting the **'Shaking' knob** and wait until the sample is processed.



'Shaking' knob

*Note, having the tube placed in a slanted angle will help you use less reagents